

## ROLL-TECH VSP™ WHEEL



The VSP Wheel is now available at Albion! VSP wheels are solid cushion tires, made from a special blend of granular rubber and chemical accelerators, cured under tremendous pressure. The result is a “bouncy” high impact resistant and puncture proof wheel. Tires are mounted on rugged polypropylene centers which will not dent or rust like conventional metal hubs. Ideal for hand trucks or other equipment which requires a soft, cushioned ride. Durometer is 80A.

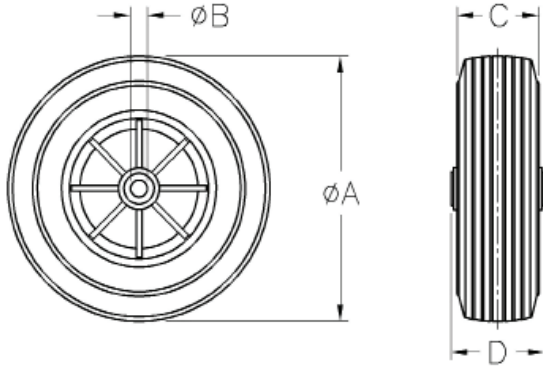


- Flat-free and puncture proof - this wheel never needs air!
- Quiet rolling, cushioned, resilient; great life expectancy
- Eco friendly - made from recycled materials and is recyclable



Wheel Diam. (in.)	Tread Width (in.)	Wheel Bearing	Hub Length (in.)	Bore (in.)	Centered/ Offset	Capacity (lbs.)	Wheel Desc.	Part Number
6	1-1/2	Roller	2-1/4	3/4	Centered	300	VSP/C 6x1.25 2.25"HL 3/4"RB/Z	642.163.1930
8	2	Roller	2-1/4	3/4	Centered	500	VSP/C 8x1.5 2.25"HL 3/4"RB/Z	642.207.1930
8	2-1/4	Ball	2-1/4	5/8	Offset	500	VSP/O 8x2 2.25"HL 5/8"BB	648.213.1530
8	2-1/4	Ball	2-1/4	3/4	Offset	500	VSP/O 8x2 2.25"HL 3/4"BB	648.213.1930
8	2-1/4	Ball	2-1/2	5/8	Centered	500	VSP/C 8x2 2.25"HL 5/8"BB	643.213.1530
8	2-1/4	Ball	2-1/2	3/4	Centered	500	VSP/C 8x2 2.25"HL 3/4"BB	643.213.1930
10	2-1/2	Ball	2-1/4	5/8	Offset	550	VSP/O 10x2 2.25"HL 5/8"BB	648.267.1530
10	2-1/2	Ball	2-1/4	3/4	Offset	550	VSP/O 10x2 2.25"HL 3/4"BB	648.267.1930
10	2-1/2	Ball	3-1/4	5/8	Centered	550	VSP/C 10x2 3.25"HL 5/8"BB	643.267.1590
10	2-1/2	Ball	3-1/4	3/4	Centered	550	VSP/C 10x2 3.25"HL 3/4"BB	643.267.1990
12	3	Ball	3-1/4	5/8	Centered	600	VSP/C 12x2.75 3.25"HL 5/8"BB	643.310.1590
12	3	Ball	3-1/4	3/4	Centered	600	VSP/C 12x2.75 3.25"HL 3/4"BB	643.310.1990

## ROLL-TECH VSP™ WHEEL



A: Wheel diameter  
 B: Bearing ID  
 C: Tire width  
 D: Hub length



\*Wheels marked in **bold** indicate standard stocked items

Hub Length & Type	1-3/4" Centered		2-1/4" Centered		2-1/2" Centered		3-1/4" Centered		2-1/4" Offset		2-5/8" Offset		Load Rating (lbs.)
	Ball		Roller	Ball	Ball	Roller	Ball	Roller	Ball	Ball	Ball		
Bearing	5/16", 3/8", 1/2"		1/2", 5/8", 3/4"	1/2", <b>5/8", 3/4"</b>	1/2", 5/8", 3/4", 1" (delrin only)	3/4", 1"	1/2", <b>5/8", 3/4"</b>	1/2", <b>5/8", 3/4"</b>	1/2", 5/8", 3/4", 1" (delrin only)				
Bore Sizes	5/16", 3/8", 1/2"		1/2", 5/8", 3/4"	1/2", <b>5/8", 3/4"</b>	1/2", 5/8", 3/4", 1" (delrin only)	3/4", 1"	1/2", <b>5/8", 3/4"</b>	1/2", <b>5/8", 3/4"</b>	1/2", 5/8", 3/4", 1" (delrin only)				
Wheel Sizes													
6" x 1-3/4"	640.163.xx30	<b>642.163.xx30</b>	643.163.xx30							648.163.xx30		350	
7" x 2"	640.184.xx30	642.184.xx30	643.184.xx30							648.184.xx30		400	
8" x 2"	640.207.xx30	<b>642.207.xx30</b>	643.207.xx30							648.207.xx30		440	
8" x 2-1/2"	640.208.xx30	642.208.xx30	<b>643.213.xx30</b>							<b>648.213.xx30</b>		450	
10" x 2"	640.255.xx30	642.261.xx30	643.255.xx30	646.261.xx30	645.261.xx30	643.255.xx30	648.255.xx30	647.261.xx30				500	
10" x 2-3/4"	640.254.xx30		643.254.xx30			<b>643.267.xx90</b>	<b>648.267.xx30</b>					550	
10" x 3"			643.256.xx30			643.256.xx90	648.163.xx30					650	
12" x 2"		642.307.xx30		646.307.xx30	645.307.xx30	643.307.xx90			647.307.xx30			750	
12" x 3"		642.306.xx30		646.310.xx30	645.306.xx30	<b>643.310.xx90</b>			647.306.xx30			850	

► For bore size, use 2-digit set below to replace "xx" in above item code numbers:

Bore Ø	5/16"	3/8"	1/2"	5/8"	3/4"	1"
xx =	<b>08</b>	<b>10</b>	<b>13</b>	<b>15</b>	<b>19</b>	<b>26</b>

The VSP is eco friendly - made from recycled materials and is recyclable itself

